



CitySpirit Street LED

BDS480 LED76/NW PSU 220-240V DW2 MP1 AUS

Vibrant outdoor lighting has the power to revitalize a city’s spirit, transforming it into an exciting, uplifting space where residents and visitors feel safe and at home even after dark. Philips CitySpirit Street LED is a luminaire designed to provide quality, environmentally friendly lighting that seamlessly integrates into the urban landscape. Equipped with LED technology and consistent light output, this luminaire delivers efficient and excellent lighting to any city.

Product data

General Information	
Lamp family code	-
Light source color	Neutral white
Light source replaceable	Yes
Number of gear units	-
Driver/power unit/transformer	Power supply unit
Driver included	Yes
Optical cover/lens type	Acrylate micro-lens optic clear
Luminaire light beam spread	-
Control interface	-
Connection	Flying leads/wires
Cable	Cable 6.0 m without plug
Protection class IEC	Safety class I
Flammability mark	-
CE mark	-
ENEC mark	-
Warranty period	3 years
Optic type outdoor	Distribution street pedestrian
Constant light output	No

Number of products on MCB of 16 A type B	-
RoHS mark	-
Light source engine type	LED
Light Technical	
Upward light output ratio	0
Standard tilt angle posttop	-
Standard tilt angle side entry	-
Operating and Electrical	
Input Voltage	200 to 240 V
Input Frequency	50 to 60 Hz
Inrush current	46 A
Inrush time	440 ms
Power Factor (Min)	0.95
Controls and Dimming	
Dimmable	No

CitySpirit Street LED

Mechanical and Housing

Housing Material	Aluminum die cast
Reflector material	Glass
Optic material	Glass
Optical cover/lens material	Polymethyl methacrylate
Fixation material	Stainless steel
Mounting device	Post-top for diameter 60 mm
Optical cover/lens shape	Convex lens
Optical cover/lens finish	Clear
Overall length	640 mm
Overall width	150 mm
Overall height	454 mm
Overall diameter	60 mm
Color	Dark gray

Approval and Application

Ingress protection code	IP65 [Dust penetration-protected, jet-proof]
Mech. impact protection code	IK09 [10 J]
Surge Protection (Common/Differential)	4/2 kV

Initial Performance (IEC Compliant)

Initial luminous flux (system flux)	7600 lm
Luminous flux tolerance	+/-10%

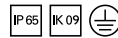
Initial LED luminaire efficacy	101.33333333333333 lm/W
Init. Corr. Color Temperature	4000 K
Init. Color Rendering Index	70
Initial chromaticity	SDCM>5
Initial input power	75 W
Power consumption tolerance	+/-10%

Application Conditions

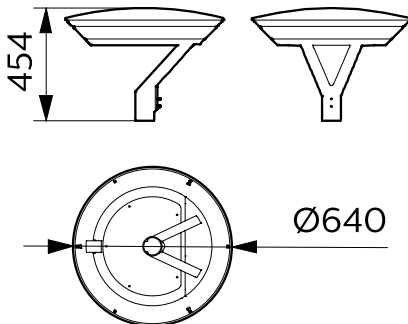
Ambient temperature range	-40 to +35 °C
Maximum dim level	Not applicable

Product Data

Full product code	911401620704
Order product name	BDS480 LED76/NW PSU 220-240V DW2 MP1 AUS
Order code	911401620704
Numerator - Quantity Per Pack	1
Numerator - Packs per outer box	1
Material Nr. (12NC)	911401620704
Net Weight (Piece)	17.499 kg



Dimensional drawing



CitySpirit Street LED BDS480

